

CABLE 063 RF: RF CABLE ASSEMBLY, I-PEX MHF + SMA FEMALE BULKHEAD WITH ORING + MULTIPLE CABLE SIZES - 6GHz

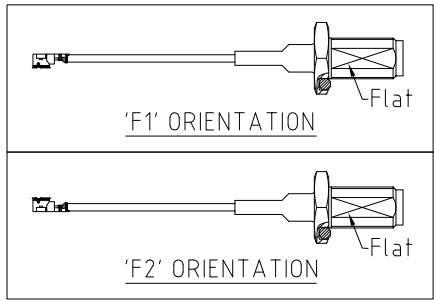
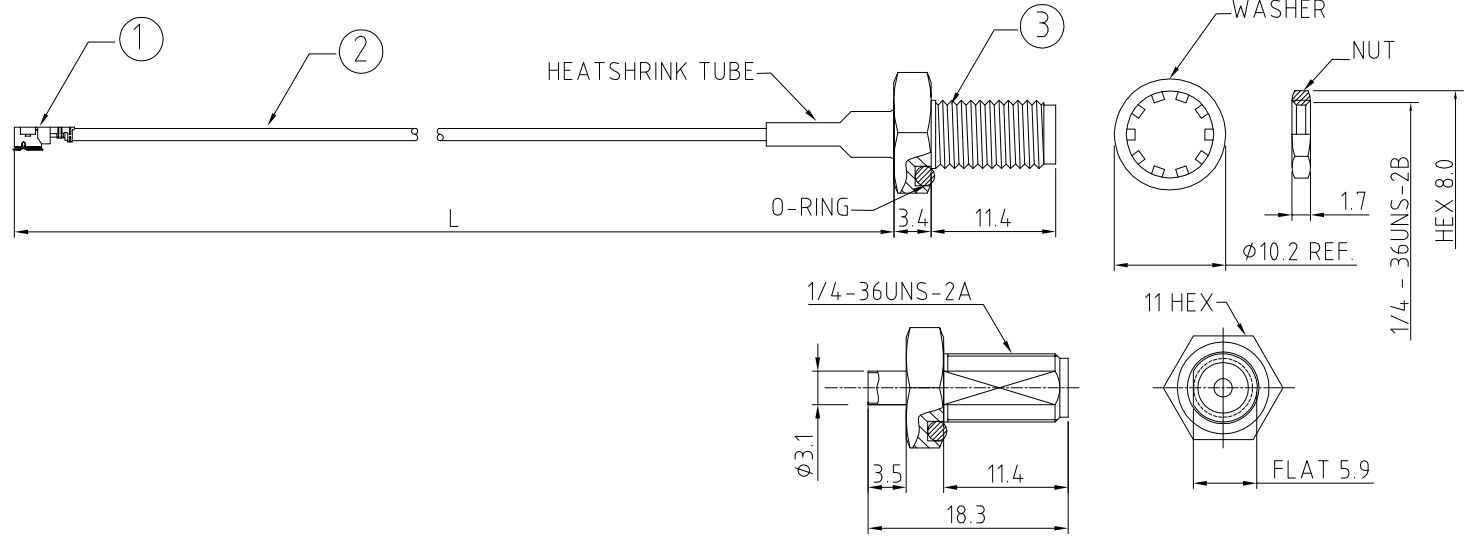
SPECIFICATIONS

- I-PEX MHF PLUG, GOLD (ALTERNATIVE TO HIROSE U.FL)
FOR $\phi 1.13\text{MM}$ CABLE: 20278-112R-13.
FOR $\phi 1.37\text{MM}$ CABLE: 20351-112R-37.
FOR RG178 CABLE: 20278-112R-18.
- COAXIAL CABLE, SEE PART NUMBER FOR DETAIL.
- SMA ST BULKHEAD WITH O-RING, GOLD.
FOR $\phi 1.13\text{MM}$ CABLE: RFCT-SMA032-F13.
FOR $\phi 1.37\text{MM}$ CABLE: RFCT-SMA032-F37.
FOR RG178 CABLE: RFCT-SMA032-F78.

USAGE PRECAUTIONS: CABLES USING 'MICRO' COAX ARE DELICATE:
 (i) HANDLE WITH CARE.
 (ii) DO NOT TWIST; APPLY EXCESSIVE FORCES OR SHARP BENDS TO THE CABLE. DO NOT FORCEFULLY DEFORM WIRES.
 (iii) CONSULT CONNECTOR MANUFACTURER'S DATASHEETS FOR DETAILED NOTES ON HANDLING INSTRUCTIONS.

NOTES:

- THE ORIENTATION OF CONNECTORS ON DRAWING IS FOR REFERENCE ONLY, IF THE ORDER IS LEFT BLANK THE CONNECTOR WILL NOT HAVE FIXED ORIENTATION.
- FIXED ORIENTATION IS SUGGESTED FOR CABLE LENGTH 31MM TO 100MM. PLEASE SPECIFY THE FIXED ORIENTATIONS FROM THE ORDER CODE (F1, F2, ETC)
- CONTACT GRAD CONN IF THE ORIENTATION YOU REQUIRE IS NOT SHOWN.
- WORKING FREQUENCY RANGE: DC-6GHz Δ
- OPERATING TEMPERATURE: -40°C TO $+85^{\circ}\text{C}$.
- IMPEDANCE: 50 OHM.



HOW TO ORDER

CABLE 063 RF - X X X - X X - X - X

"L" LENGTH IN MM
 eg: 100MM = 0100
 (MIN. 031-MAX.400)
 STANDARD = 100, 150, 200
 Tolerance: <50mm : $\pm 2\text{mm}$.
 51-200mm: $\pm 5\text{mm}$.
 201-400mm: $\pm 7\text{mm}$.

WASHER AND NUT OPTIONS:
 BLANK = SEPERATELY PACKED (STANDARD)
 A = ASSEMBLED WITH CONNECTOR

ORIENTATION OPTIONS:
 BLANK = DOES NOT HAVE A FIXED ORIENTATION
 F1 = MHF CONNECTION DOWN (L=31-220MM)
 F2 = MHF CONNECTION UP (L=31-220MM)
 (SEE NOTES 1, 2, 3 AND DIAGRAMS FOR MORE INFORMATION)

CABLE SIZE OPTIONS:
 BLANK = $\phi 1.13\text{MM}$ CABLE, COLOR: GRAY.
 1 = $\phi 1.37\text{MM}$ CABLE, COLOR: BLACK.
 2 = RG178 CABLE, COLOR: BROWN.

SMA JACK DETAIL DIMENSION

RECOMMENDED SMA MOUNTING HOLE

REV. DATE & DRN	10 23/01/09 - CHC RELEASE
11 18/08/09-PCY	ADD WORKING FREQUENCY RANGE.
12 10/07/12 - NYW	ADD ORIENTATION OPTIONS.
13 11/11/13 - NYW	ADD CABLE OPTION 1.
14 29/03/16 - NYW	AMEND MIN. CABLE LENGTH.
15 27/02/18 - NYW	AMEND DRAWING TITLE
16 27/01/22 - NYW	ADD RG178 CABLE OPTION. ADD NOTES P'N'S. ADD NOTES 5 & 6.

Scale: NTS	THIRD ANGLE	Unstated X XX ± 0.2 .XX ± 0.1 XXX ± 0.05 ANGLES ± 5	Material SEE NOTE
Drawn: CHC		Title CABLE ASSEMBLY	NOT TO SCALE
App'd: XXX		Date: 27 JAN. '22	Unit: mm

GRADCONN

www.gradconn.com

THIS DRAWING IS CONFIDENTIAL AND MUST NOT BE COPIED OR DISCLOSED WITHOUT WRITTEN CONSENT

Type: Cable 063 RF
CABLE 063 RF
Drawing Number:
Sheet 1 of 1
Drawing © E and O E